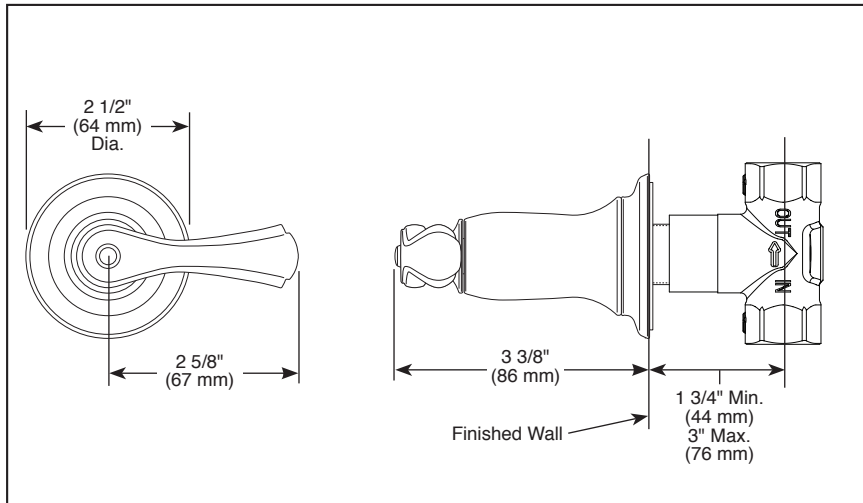


T66685▲



Submitted Model No.: _____

Specific Features: _____



▲ Designate proper finish suffix

BRIZO®

SENSORI®

CUSTOM SHOWER TRIM

- Charlotte™ Collection
- Volume Control Trim

STANDARD SPECIFICATIONS

- Must also order R35600 Rough-In.
- 90° handle rotation controls volume only.
- Volume control flows up to 16.2 gpm @ 60 psi
- Maximum flow 8.2 gpm @ 60 psi per volume control when paired with Sensori Thermostatic trim.
- Volume controls are required for every outlet and every set of body sprays (up to max flow).
- All parts are replaceable from the front.
- Adjusts for wall thickness variations.
- Recommended working pressure of 45-80 PSI.
- Volume control only; must be used with temperature control device.
- Rough can accommodate up to 3 1/4" wall thickness. NOTE: some applications may require stem extender RP100304.

WARRANTY

- Lifetime limited warranty on parts (other than electronic parts and batteries) and finishes: or, for commercial users, for 5 years from date of purchase.
- 5 year limited warranty on electronic parts (other than batteries); or, for commercial users, for 1 year from the date of purchase. No warranty is provided on batteries.

COMPLIES WITH:

- ASME A112.18.1 / CSA B125.1



Indicates compliance to ICC/ANSI A117.1- Valve control only