

# BRIZO®

## SHOWER ARM AND FLANGE

■ Levoir™ Collection

### STANDARD SPECIFICATIONS:

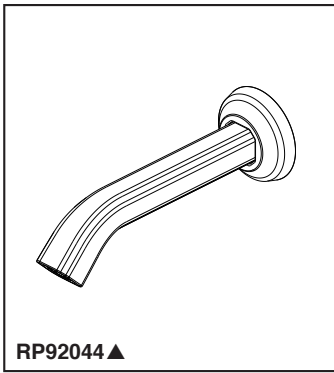
- Solid brass construction
- Intended for use with 87498 showerhead

### WARRANTY

- Lifetime limited warranty on parts (other than electronic parts and batteries) and finishes: or, for commercial users, for 5 years from date of purchase.
- 5 year limited warranty on electronic parts (other than batteries); or, for commercial users, for 1 year from the date of purchase. No warranty is provided on batteries.

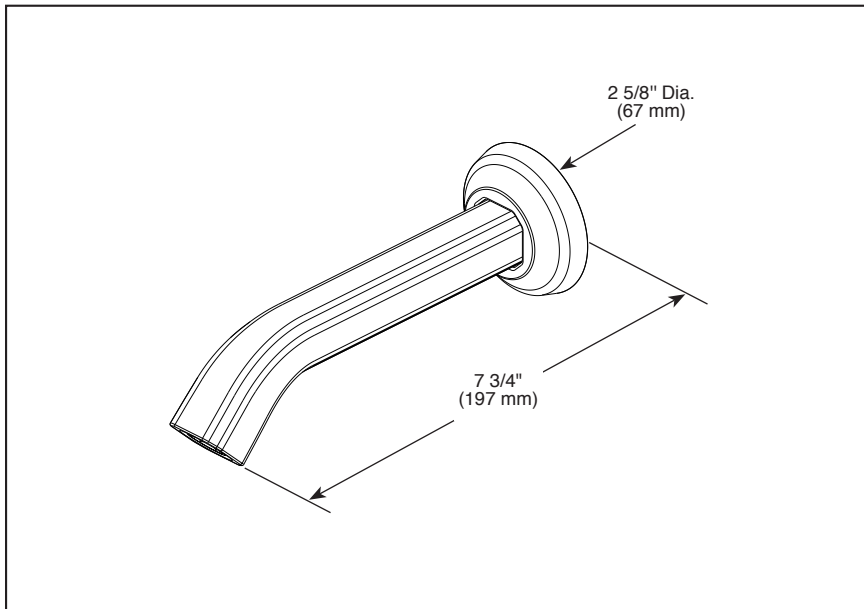
### COMPLIES WITH:

- ASME A112.18.1 / CSA B125.1



Submitted Model No.: \_\_\_\_\_

Specific Features: \_\_\_\_\_



▲ Designate proper finish suffix

Brizo Kitchen & Bath Company reserves the right (1) to make changes in specifications and materials, and (2) to change or discontinue models, both without notice or obligation. Dimensions are for reference only. See current full-line price book or [www.brizo.com](http://www.brizo.com) for finish options and product availability.

BSP-B-RP92044 Rev. A

**Brizo Kitchen & Bath Company**

Indianapolis, Indiana 46280  
A Division of Masco Corporation of Indiana  
© 2017 Brizo Kitchen & Bath Company