



# 9015, 9015-63

## Soap Dish

- Bright Polished Stainless Steel
- Surface-Mounted
- Model 9015 **Bradex**<sup>®</sup>

### Product Materials

**SOAP DISH:** Heavy gauge no. 8 bright polished stainless steel. Model 9015 has four holes in bottom of tray to permit water drainage.

### Installation

Verify all rough-in dimensions prior to installation. Secure mounting bracket to wall with screws (included) at holes provided. With escutcheon set screw on the bottom, align top end of escutcheon interior to top of wall bracket. Pivot escutcheon plate down into position and tighten concealed set screw to lock unit in place.

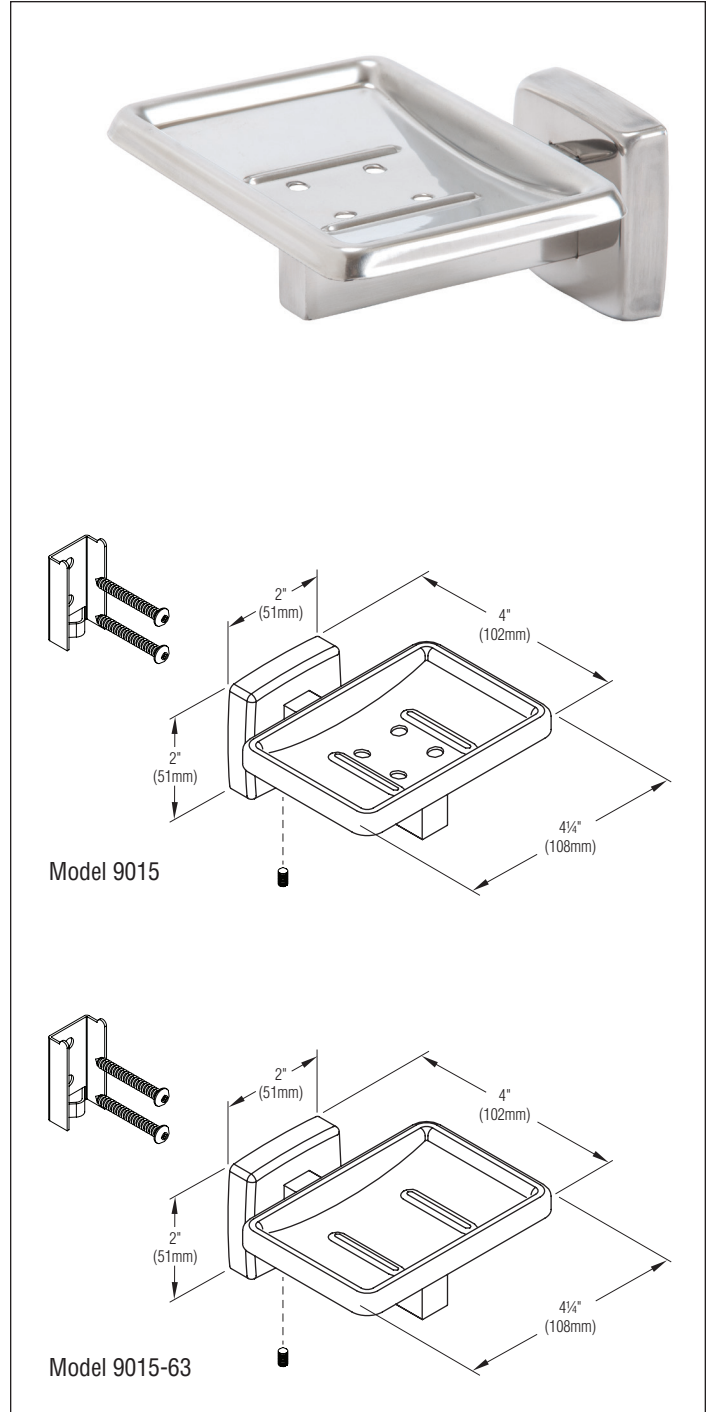
### Optional Features

Feature	Suffix
<input type="checkbox"/> Domestic 9015	-US
<input type="checkbox"/> Domestic 9015-63	-US

### Guide Specification

Surface-mounted accessory shall be fabricated of heavy gauge No. 8 bright polished stainless steel.

**Overall dimensions: 4¼"W x 2"H x 4"D.**



Orders composed of products indicated as **Bradex**<sup>®</sup> will be available to ship in three days after receipt of order at the factory. There is no pricing penalty for this service from Bradley.