

# CHARISM 5736

57" x 36" x 23" (FREESTANDING)

Charism has broken the mold, transcending conventional approaches to therapeutic baths.

CHARISM®



## PRODUCT NO.

MODEL	TMU	TUB
Freestanding	BCH4OF00T-XX	BCH4OF00N-XX

THERMOMASSEUR (TMU)	
Hydro-thermo massage • Air jet system	\$
Jets	35
1 heated backrest	Included
MiaMulti® Control*	Included
Geysair®	Included
AromaCloud®	N/A
Illuzio Chromatherapy <b>BCHRO6</b>	\$

TUB Soaker	
AromaCloud®	N/A
Illuzio Chromatherapy <b>BCHRO6</b>	\$
WarmTouchShell® <b>BWTS</b>	\$
DOT control	Included with therapy

## FEATURES

Installation type	Freestanding		
No. of bathers	1	Imp. gallons	41
US gallons	49		

## INTEGRATED WASTE & OVERFLOW **BOVERINI-XX**

White <b>01</b> , Chrome <b>07</b> , Brushed Nickel <b>09</b> , Polished Nickel <b>10</b>	Installed & Included
---	----------------------

## STANDARD COLOR

 White <b>01</b>	Included
---	----------

## STANDARD DECK COLOR **BDECKCO-XX**

 White <b>01</b>  Black <b>06</b>	Included
---	----------

## OPTIONS (UPCHARGE APPLICABLE)

### FINISH

UltraVelour Matte Finish (White only) <b>BVEL</b>	\$
---	----

### DECK COLOR **BDECKCO-XX**

 Copper <b>18</b>  Crystal Rock <b>17</b>	\$
---	----

### INTEGRATED WASTE & OVERFLOW **BOVERINI-XX**

Black Chrome <b>12</b> , Matte Black <b>19</b> , Satin Brass <b>18</b>	\$
--	----

### ISLAND TUB DRAIN™\*\*

Island Tub Drain™ <b>BISLDD</b>	\$
Cast Iron Island Tub Drain™ <b>BISLDDCI</b>	\$

### IF REQUIRED BY CONSTRUCTION CODE OR INSTALLED WITH ITD

Brass waste & overflow kit <b>BDRCOB</b>	\$
Brass waste kit <b>BDRCB</b>	\$



Don't forget that this model is available in **White only with choice of deck color**. Don't forget to specify the **finish of the integrated waste & overflow**.

\* For TMU, control and faucets cannot be installed on deck of the bath.

\*\* An Island Tub Drain™ is required when there is **no access under the bath**.

**TOTAL PRICE** \$

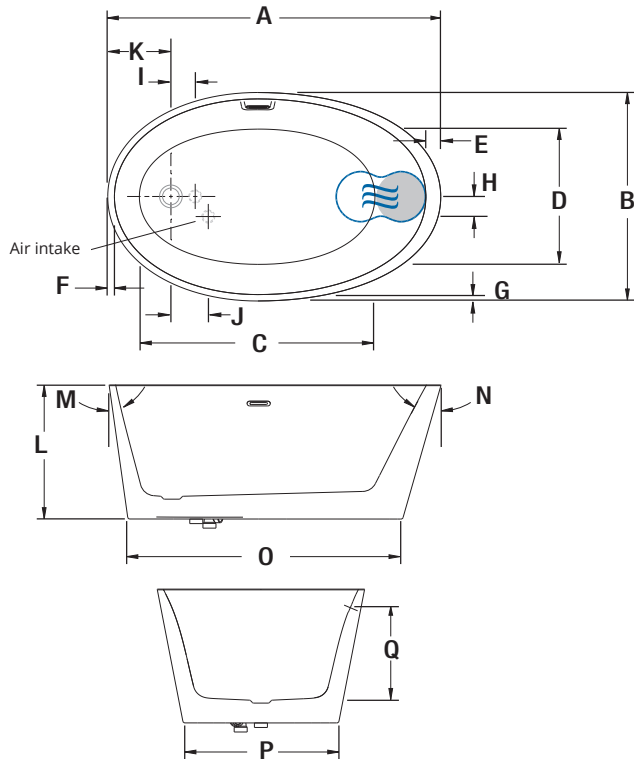


Copper deck color (optional)

**CHARISM 5736 (FREESTANDING)**



**INSTALLATION**



LETTER	DESCRIPTION	MEASURE
A	Total length	57 1/4"
B	Total width	35 7/8"
C	Bathing well length	41 1/2"
D	Bathing well width	23 7/8"
E	Deck width at headrest	2 5/8"
F	Deck width (waste end)	1 1/8"
G	Deck width	1 1/8"
H	Center TUB waste to air intake	3 1/2"
I	Center TUB waste to waste hole	4 1/4"
J	Center TUB waste to air intake	6 1/2"
K	TUB outside edge to center TUB waste	10 3/4"
L	Total height	23 1/4"
M	Slope at waste end	12°
N	Slope of backrest	31°
O	Base length	47 3/8"
P	Base width	26 7/8"
Q	Height from waste to center of overflow	16"

- Indicates heated backrest (TMU)
- ☉ Indicates WarmTouchShell® position (TUB)

**TECHNICAL SPECIFICATIONS**

<b>Hot water supply required</b>	Should be 70% of water capacity of TUB or greater.
<b>Turbine</b>	Access to the pump must be at least 18" x 22". <b>Standard connection is 20 A, 120 V, 60 Hz</b> , dedicated line with a Ground-Fault Circuit Interrupter (GFCI). <b>For any additional option, a second line is needed 15 A, 120 V, 60 Hz</b> , dedicated line with a GFCI. Air vent necessary: 2" x 4" minimum.
<b>Others</b>	<ul style="list-style-type: none"> <li>- Faucet must be freestanding or wall-mounted.</li> <li>- The turbine must be <b>remotely installed</b>.</li> <li>- Controls cannot be installed on the bath.</li> </ul>

<b>Cutting template</b>	# 90000070
<b>Approx. shipping weight</b>	210 lbs
<b>Turbine power</b>	550 W
<b>Air heater</b>	600 W
<b>WARRANTY</b>	
Controls-LED-Geysair*	5 years
Bath & turbine*	20 years

Our products must be installed by certified professionals only and according to our Owner's Manual as well as federal, provincial/state and local building codes and regulations ([www.bainultra.com/documentation/documentation](http://www.bainultra.com/documentation/documentation)).

\* Some restrictions apply | [www.bainultra.com/warranty](http://www.bainultra.com/warranty)



The specifications shown indicate the outer edge dimension and the inside bathing capacity dimension measured at air jets' height. The manufacturer accepts a 1/4" [0.64 cm] variance. There are variations on each product and specifications are subject to change as we improve upon our product as required. The dimensions needed for site preparation and structure building will differ. BainUltra® assumes no responsibility for preparatory work done prior to the product being on site.