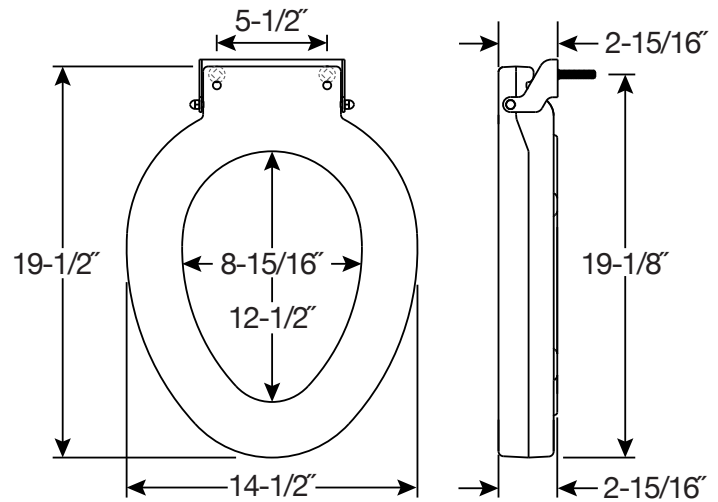


HEAVY-DUTY PLASTIC LIFT  
FOR TOILET SEAT



**FEATURES:**

- **STA-TITE® Commercial Fastening System™**  
Eliminates callbacks for loosened seats
- **Blow-Molded Plastic Riser \***  
Provides 4" of additional height above rim once seat is installed

**SPECIFICATIONS:**

- Size:** Elongated
- Material:** Plastic
- Style:** Lift / Riser (seat sold separately)
- Ring Bumpers:** Four
- Hinges:** Non-Corroding 300 Series Stainless Steel Mounting Bracket
- Hardware:** STA-TITE® Commercial Fastening System™

*\* It is recommended that only residential toilet seats be installed on lift/riser.*



Proudly Made in the USA

Eco-Friendly

