

INDIA 67" CAST IRON SLIPPER TUB

Cat. No.
CTSN67I



L: 67"
W: 31-1/2"
H: 23-1/2" & 28-1/4" (from floor to top of tub)

Water depth: 16-5/8" to top of tub
Water depth: 12-1/4" to overflow
Bottom of tub to floor: 6-1/4"

The following is recommended for CTSN67 tubs without faucet holes:

- Faucets: part #4602, 4604 or 7082
- Rigid, freestanding supplies: Part #4502
- Leg tub drain: part #5599

Gallon Capacity:	57
Shipping Weight:	410 lbs.
Empty Weight:	300 lbs.
Filled Weight:	776 lbs.

Features:

- ▶ Inside finish is white enamel
- ▶ Imperial feet available in 9 finishes
- ▶ Tub exterior is white (epoxy)
- ▶ No faucet holes
- ▶ ICC-ES certified
- ▶ UPC certified
- ▶ Rim: 3"
- ▶ Feet attached and leveled before shipment
- ▶ Tub is thoroughly inspected before shipment



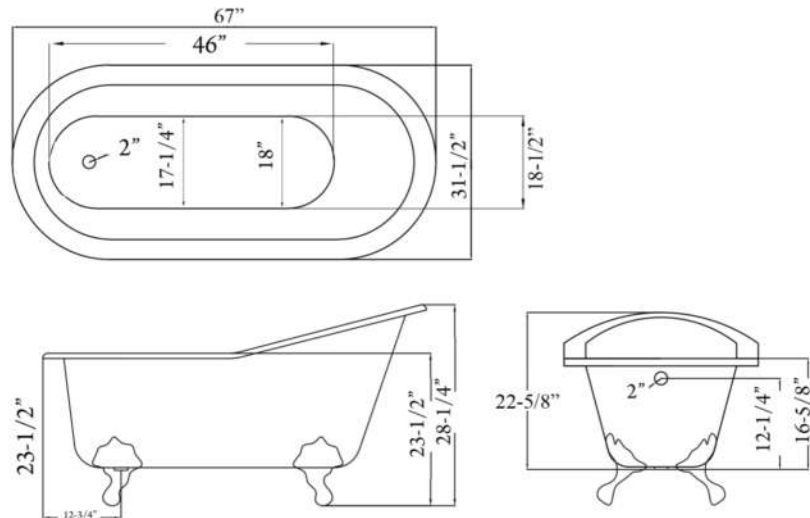
Foot Finishes:

- UF Unfinished
- BL Painted Black
- BQ Painted Bisque
- PB Polished Brass



- CP Polished Chrome
- WH Painted White
- PN Polished Nickel
- SN Brushed Nickel
- ORB Oil Rubbed Bronze

Custom Colors Available (inside of tub is always white enamel):
Painted bathtubs are considered "special order" and are not returnable
\$160 Bisque or Black \$250 Designer Color



Dimensions of fixture are nominal and may vary within the range of tolerances established by ANSI Standard A112.19.1M. Dimensions and specifications subject to change without notice.