

# ENSAL WALL-HUNG BASIN

CAT. NO  
4-1912X



Faucet not included



Mounting hardware

W: 29-1/2"  
D: 21-3/4"  
H: 11-1/2"

Water depth 5-1/2" to overflow

## Interior Dimensions:

Basin interior:	19-3/4" x 13-1/2"
Basin depth:	7-3/8"
Faucet and spout holes:	1-1/2"
Back of basin to center of faucet:	2-5/8"
Back of basin to center of drain:	9-1/8"
Mount holes cc:	7-1/2"

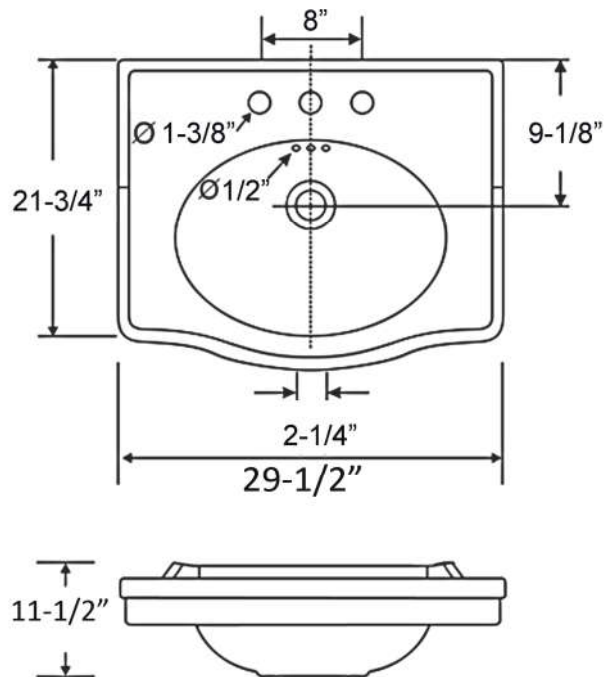
## Features:

- ▶ Made of Vitreous China
- ▶ Available pre-drilled for single hole (4-19121), 4" centerset (4-19214), or 8" widespread faucet (4-19128)
- ▶ Overflow
- ▶ Mounting hardware included
- ▶ cUPC approved



**Colors:**  
WH White

Meets or exceeds the following specifications: ASME A112.19.2 2018 and CSA B45.1-18 for ceramic plumbing fixtures.



Dimensions of fixture are nominal and may vary within the range of tolerances established by ASME Standard A112.19.2. Dimensions and specifications subject to change without notice.