

GRID DRAIN

Cat. No.
5600 & 5601



Features:

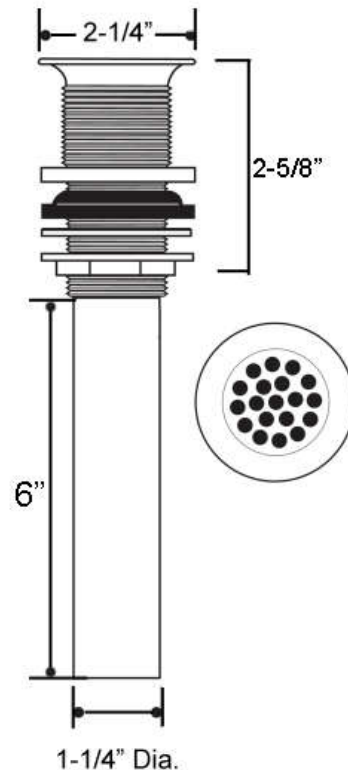
- ▶ Constructed of brass
- ▶ Thickness is 1/16"
- ▶ Fits Standard 1 1/4" Drain Body
- ▶ Available with Overflow - Part **#5600**
- ▶ Available without Overflow - Part **#5601**
- ▶ Includes rubber gasket
- ▶ Available in 6 Finishes

Finishes:

- CP** Polished Chrome
- PE** Pewter
- ORB** Oil Rubbed Bronze
- PB** Polished Brass
- SN** Brushed Nickel
- AC** Antique Copper

Overall Length: 8-1/4"

Diameter: 1-1/4"



Dimensions and specifications subject to change without notice.