

# 7242HCW – EVERYDAY BATHS

72 x 42 x 27 inches

SOAKER MODEL #7242HCW

WHIRLPOOL MODEL #7242HCWWP



## FEATURES

- Alcove bath
- Integral arm rests
- Ergonomic backrest
- Integral tiling flange (3T)
- Integral skirt
- Slip-resistant textured bottom
- 8" wainscot
- Center rear drain
- AcrylX™ applied acrylic surface
- East zone only
- Lifetime limited warranty

### Whirlpool Features:

- 4 directional hydrotherapy jets
- Available in White and Biscuit/Linen only
- Color matched trim
- 1 air control
- Pneumatic on/off control
- Advanced safety suction system

## AQUATIC ADVANTAGE

- National distribution
- 7 manufacturing facilities
- Private fleet
- Centralized customer service
- Field support

## COLOR OPTIONS

Stock	Upgraded	Premium
White	Almond Biscuit/Linen Bone	Black Mexican Sand Sand Bar Sterling Silver

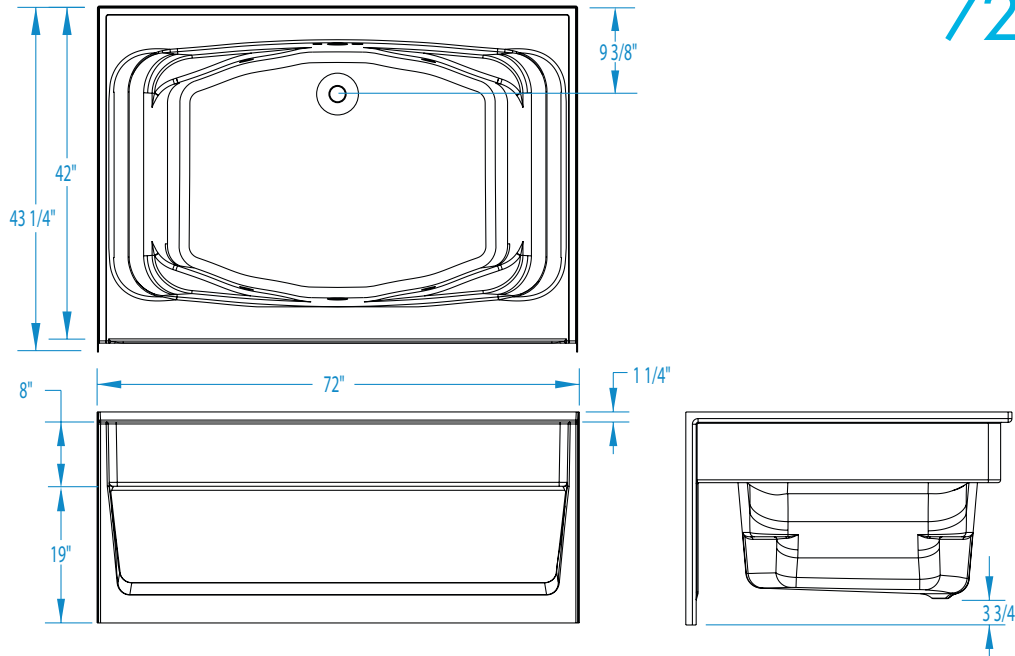
## OPTIONS

- Removable access panel (whirlpool models)
- Designer drain, waste & overflow



# 7242HCW

72 x 42 x 27 inches  
East zone only



**FEATURES** lbs      Dimensional Tolerance  $\pm \frac{3}{16}$ ". Dimensions needed for site preparation should be measured from the unit. Aquatic assumes no responsibility for preparatory work.

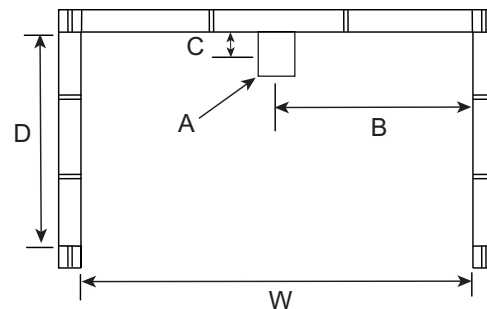
Model #	Material	Jets	Motor	Controls	Drain	Net Wt.	Pkg. Wt.
Soaker #7242HCW	AcrylX™	0	–	–	Center rear	93	98
Whirlpool #7242HCWWP	AcrylX™	4	63 GPM	Pneumatic	Center rear	143	148

## DIMENSIONS

Specifications	inches
Width: Overall / Net	72
Depth: Overall / Net	43 1/4 / 42
Height: Overall / Net	28 1/4 / 27
Enclosure Opening	
Skirt Height	19
Drain Rough-In (from Back Wall)	3 3/4
Drain Rough-In (from Side Wall)	36
Drain: Diameter / Clearance	2 / 3 3/4

## FRAMING DIMENSIONS inches

Type	D Depth	W Width	H Height	A	B	C
Alcove	43 1/4	72 1/8	28 1/4	Box Out	36	3 3/4



## SUMP DATA

Top of Drain to Bottom of Overflow	Capacity to Overflow gal	Min. Operating Capacity gal	WIDTH @ centerline		DEPTH @ centerline	
			Top	Bottom	Top	Bottom
11 3/4	73	66	66	51 1/2	33 5/16	30 1/2