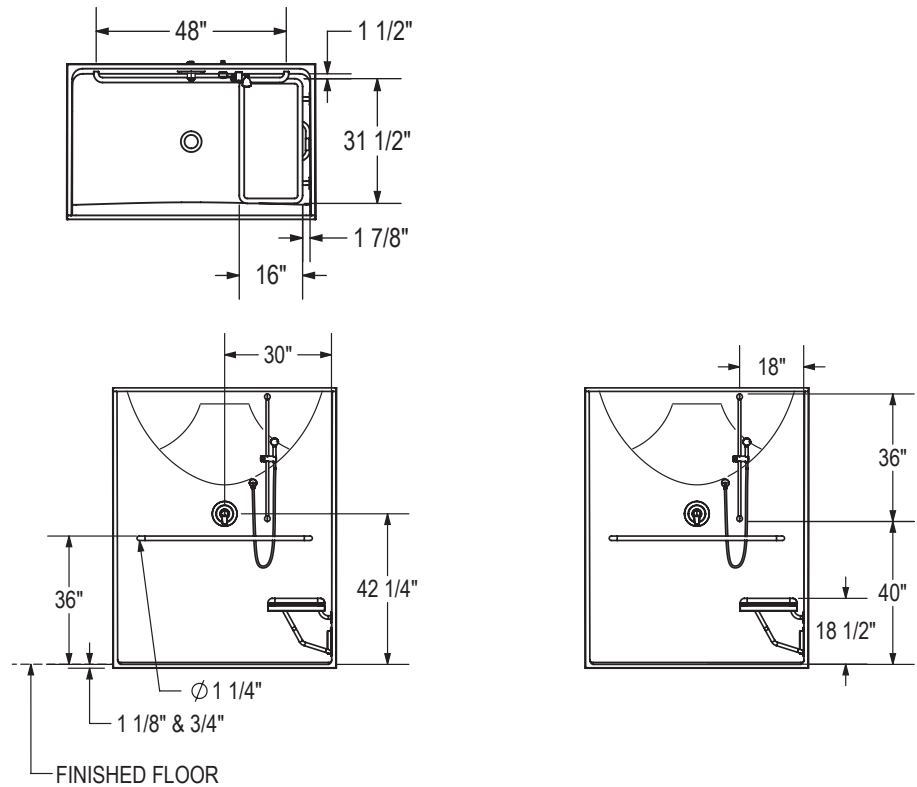


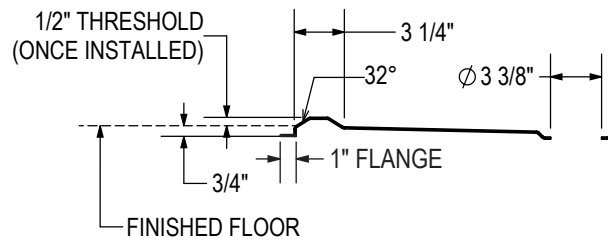
**TO COMPLETE YOUR ORDER, THIS DOCUMENT MUST BE SIGNED AND FAXED TO AKER ORDER DESK  
FAX: (304) 263-8369 • PHONE: 1-800-962-2537**

**TECHNICAL DRAWINGS**

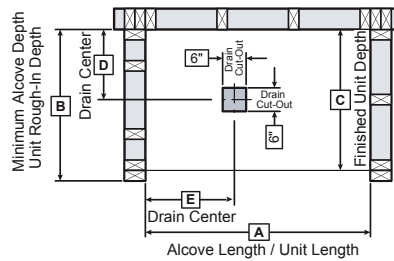
Right seat shown



**DAM PROFILE**



**FRAMING DIMENSIONS**



Model	A	B	C	D	E
141342	62 1/2"	39 1/4"	38 1/4"	19 3/8"	31 1/4"

**MINIMUM CLEARANCE**

SHOWER 60" X 36"	
MASS.	
F	60"
G	36"

Clearance zone from the control wall and adjacent to the open face.

