

TECHNICAL SPECIFICATIONS

OPS-3636 - with ANSI grab bars

MODEL NUMBER 141273

DIMENSIONS: 36" x 36" x 76 5/8" Gelcoat



STANDARD FEATURES

- 1-piece transfer shower reinforced according to FHA accessibility requirements
- One horizontal L-shaped grab bar (34 3/8" x 18") and one 18" vertical grab bar
- Center drain
- Textured bottom
- 1 1/8 in. skirt and 1/2 in. high threshold

UNIQUE FEATURES

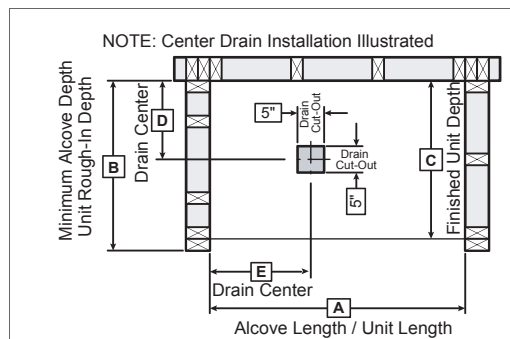
- None

OPTIONS

- Chrome recessed soap dish (drilled, not installed)
- Solid Brass drain with Chrome plated Stainless Steel grid
- 36" Chrome curtain rod
- 36" White vinyl shower curtain

SYSTEMS

- None



Model	A	B	C	D	E
141271	38 3/4	39	38	19 1/2	19 3/8

Project :

Contractor :

AKER Representative : Tel :

Date :

CERTIFICATIONS

AKER products adhere to one or more of the following certifications:



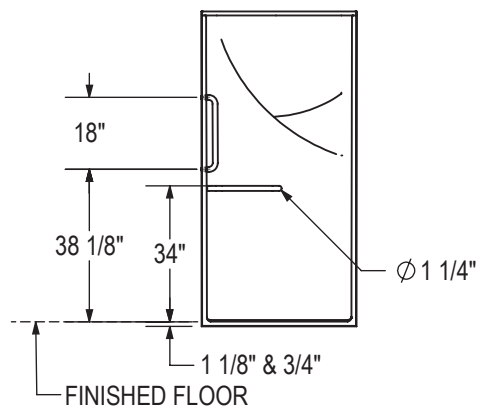
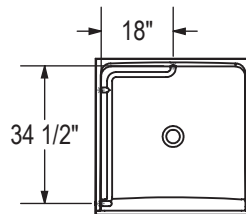
TECHNICAL SPECIFICATIONS

OPS-3636 - with ANSI grab bars

MODEL NUMBER 141273

TECHNICAL DRAWINGS

BASE MODEL WITH ANSI GRAB BAR PACKAGE
LEFT SIDE SHOWN
RIGHT SIDE SYMMETRICAL



All dimensions are approximate. Structure measurements must be verified against the unit to ensure proper fit.