

# TECHNICAL SPECIFICATIONS

## OPS-6030-RS - Base Model (MASS. COMPLIANT)

MODEL NUMBER 141329

DIMENSIONS: 60" x 30 1/4" x 76 5/8" Gelcoat



### STANDARD FEATURES

- One-piece roll-in shower reinforced according to FHA accessibility requirements
- Configurable to be compliant with major accessibility codes when properly installed
- Center drain
- Textured bottom
- 3/4 inch reduced skirt and 1/2 inch high threshold

### UNIQUE FEATURES

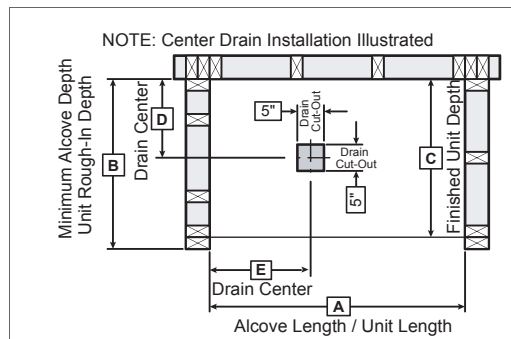
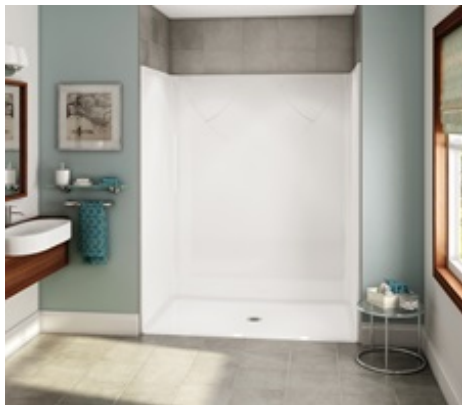
- None

### OPTIONS

- Chrome recessed soap dish (drilled, not installed)
- 60" Curtain rod
- Solid Brass drain with Chrome plated Stainless Steel grid
- 72 in. White vinyl shower curtain with Stainless Steel hooks

### SYSTEMS

- None



Model	A	B	C	D	E
141329	62 7/8	33 1/4	32 1/4	15 1/2	31 3/8

Project : .....

Contractor : .....

AKER Representative : ..... Tel : .....

Date : .....

### CERTIFICATIONS

AKER products adhere to one or more of the following certifications:



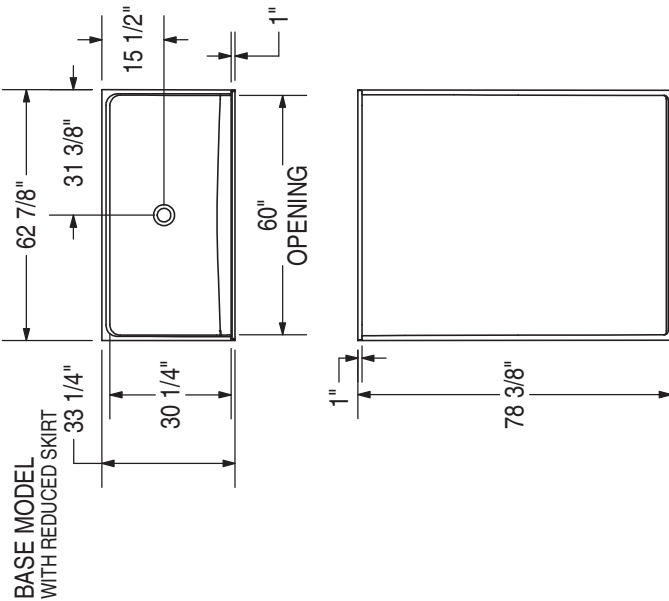
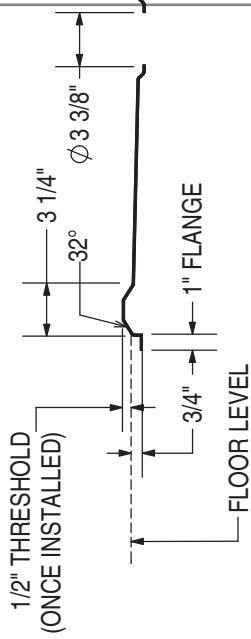
# TECHNICAL SPECIFICATIONS

## OPS-6030-RS - Base Model (MASS. COMPLIANT)

MODEL NUMBER 141329

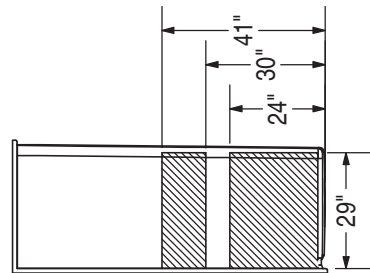
### TECHNICAL DRAWINGS

THRESHOLD DETAIL (REDUCED SKIRT)

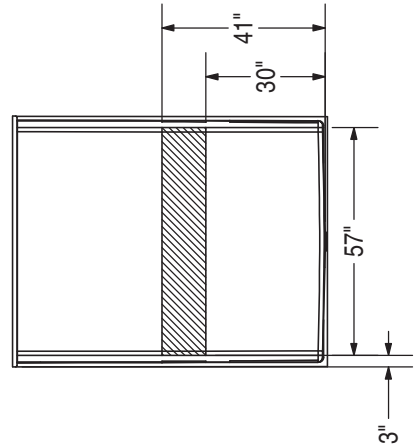


REINFORCEMENT BACKING

RIGHT WALL SHOWN  
LEFT WALL SYMMETRICAL



BACK WALL



All dimensions are approximate. Structure measurements must be verified against the unit to ensure proper fit.