

TECHNICAL SPECIFICATIONS

OPS-3636 - with MASS grab bars

MODEL NUMBER 141378

DIMENSIONS: 36" x 36" x 76 5/8" Gelcoat



STANDARD FEATURES

- 1-piece transfer shower reinforced according to FHA accessibility requirements
- 2 x Horizontal Straight 30" textured Stainless Steel grab bars (factory installed)
- Center drain
- Textured bottom
- 1 1/8 in. skirt and 1/2 in. high threshold

UNIQUE FEATURES

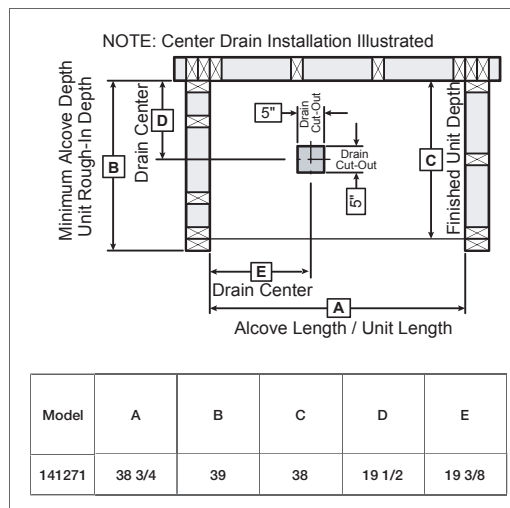
- None

OPTIONS

- Chrome recessed soap dish (drilled, not installed)
- Solid Brass drain with Chrome plated Stainless Steel grid
- 36" Chrome curtain rod
- 36" White vinyl shower curtain

SYSTEMS

- None



Project :

Contractor :

AKER Representative : Tel :

Date :

CERTIFICATIONS

AKER products adhere to one or more of the following certifications:



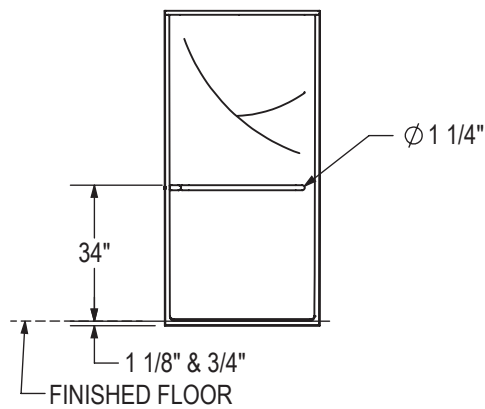
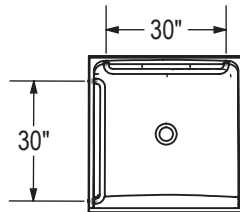
TECHNICAL SPECIFICATIONS

OPS-3636 - with MASS grab bars

MODEL NUMBER 141378

TECHNICAL DRAWINGS

BASE MODEL WITH MASS GRAB BAR PACKAGE
LEFT SIDE SHOWN
RIGHT SIDE SYMMETRICAL



All dimensions are approximate. Structure measurements must be verified against the unit to ensure proper fit.