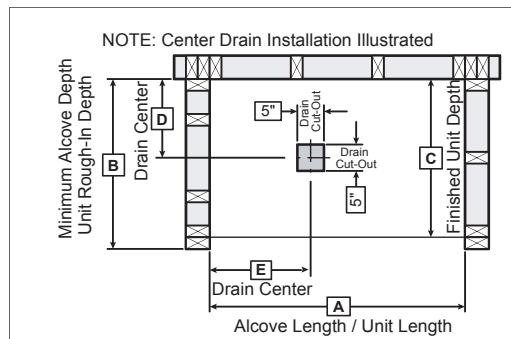


TECHNICAL SPECIFICATIONS

OPS-6030-RS - with ADA/ANSI Grab Bar and seat

MODEL NUMBER 141332

DIMENSIONS: 60" x 30 1/4" x 76 5/8" Gelcoat



Model	A	B	C	D	E
141329	62 7/8	33 1/4	32 1/4	15 1/2	31 3/8

STANDARD FEATURES

- 1-piece roll-in shower reinforced according to FHA accessibility requirements
- One horizontal L-shaped grab bar (27" x 37") and one L-shaped fold-up phenolic white seat
- Center drain
- Textured bottom
- 3/4" reduced skirt and 1/2" high threshold

UNIQUE FEATURES

- None

OPTIONS

- 72 in. White vinyl shower curtain with Stainless Steel hooks
- Chrome recessed soap dish (drilled, not installed)
- Solid Brass drain with Chrome plated Stainless Steel grid
- 60" Curtain rod

SYSTEMS

- None

CERTIFICATIONS

AKER products adhere to one or more of the following certifications:



Project : _____
 Contractor : _____
 AKER Representative : _____ Tel : _____
 Date : _____

TECHNICAL SPECIFICATIONS

OPS-6030-RS - with ADA/ANSI Grab Bar and seat

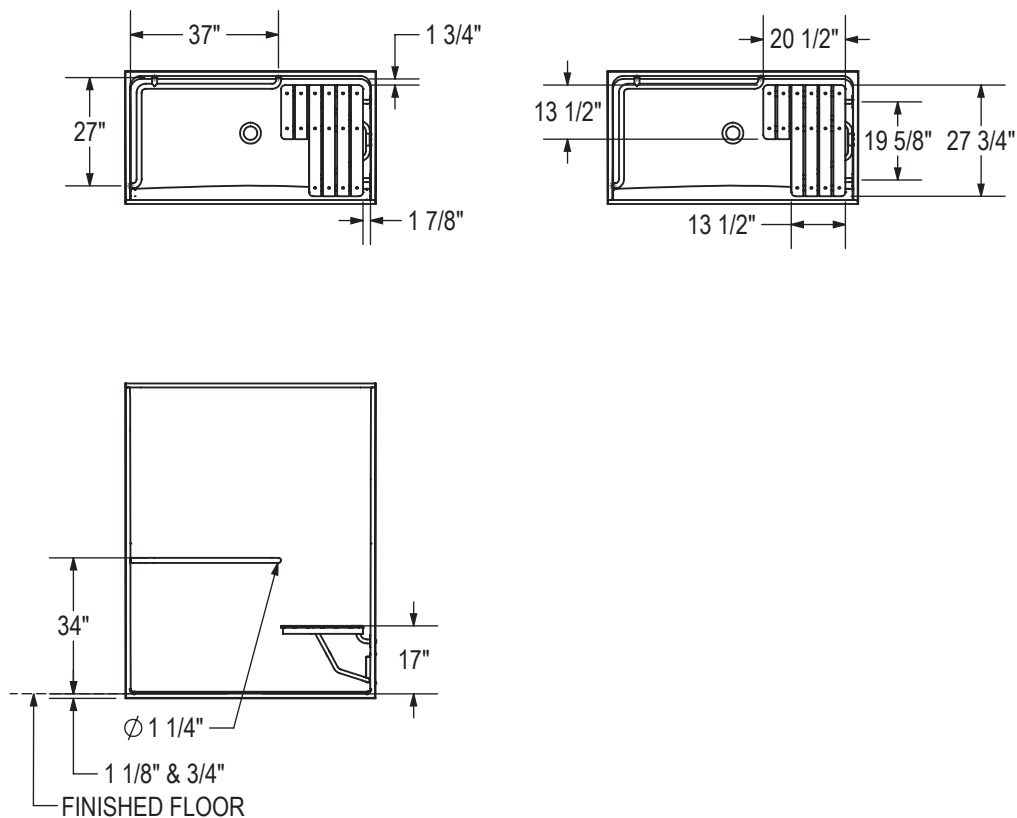
MODEL NUMBER 141332

TECHNICAL DRAWINGS

BASE MODEL WITH ADA/ANSI L-SHAPED GRAB BAR & SEAT PACKAGE

LEFT SIDE SHOWN

RIGHT SIDE SYMMETRICAL



All dimensions are approximate. Structure measurements must be verified against the unit to ensure proper fit.